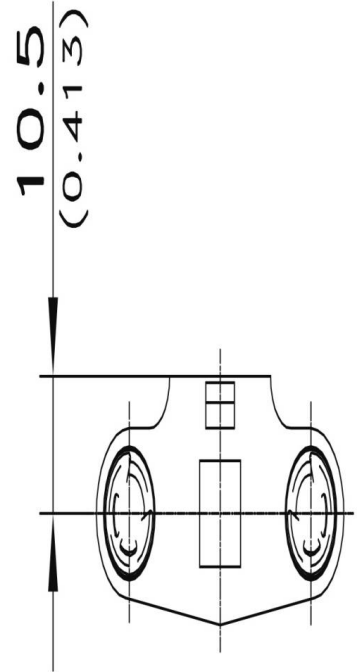
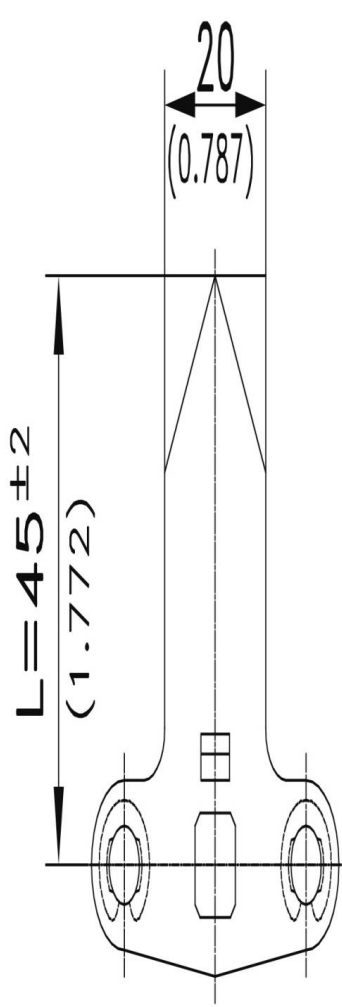
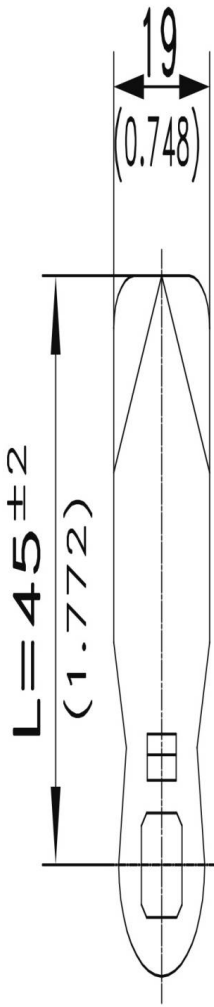
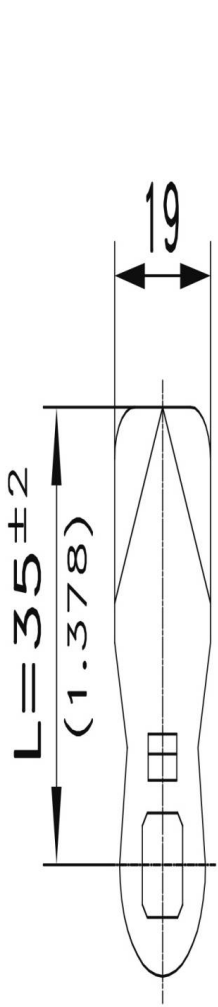
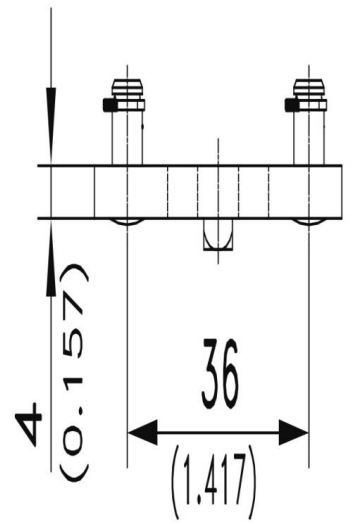
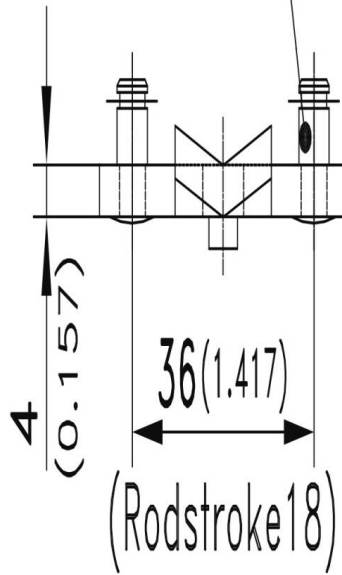
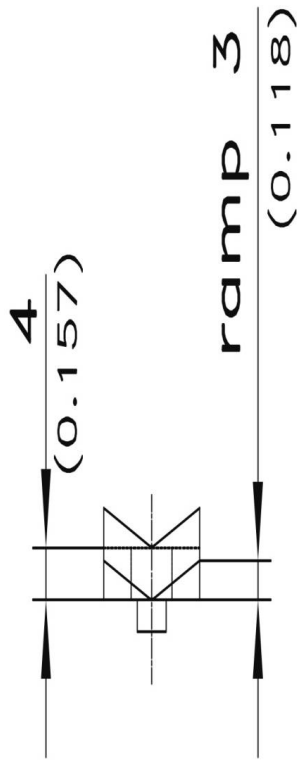
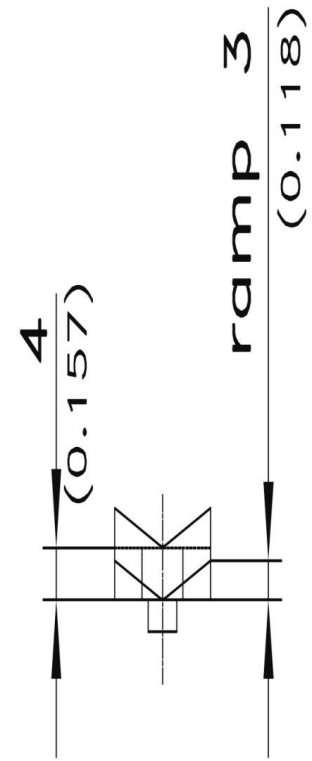




CAME H 18 3 POINTS

81-7-3518

Poids (g)	45 g
------------------	------



Stubs $\varnothing 6\text{mm}$ (0.236)
for c-clips RS 5
(are included)