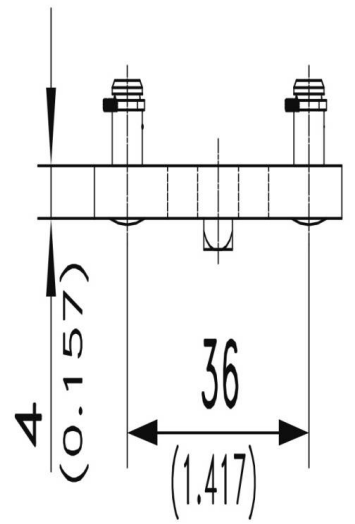
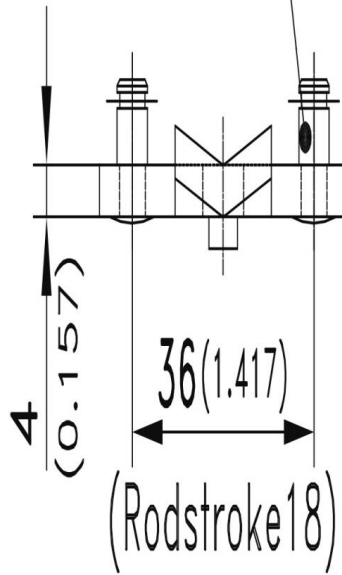
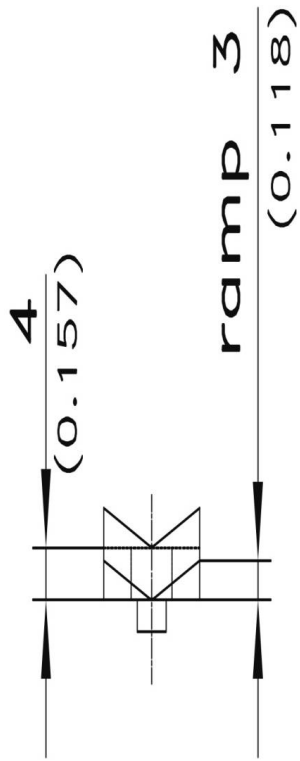
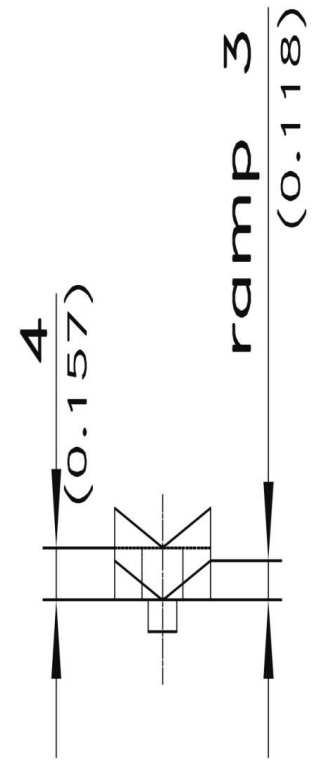




CAME H 6 3 POINTS

81-7-3506

| | |
|------------------|------|
| Poids (g) | 50 g |
|------------------|------|



Stubs $\varnothing 6\text{mm}$ (0.236)
for c-clips RS 5
(are included)

