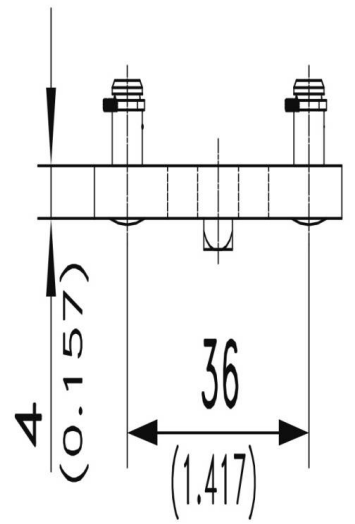
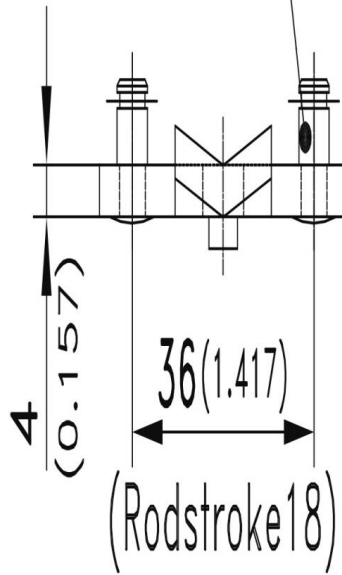
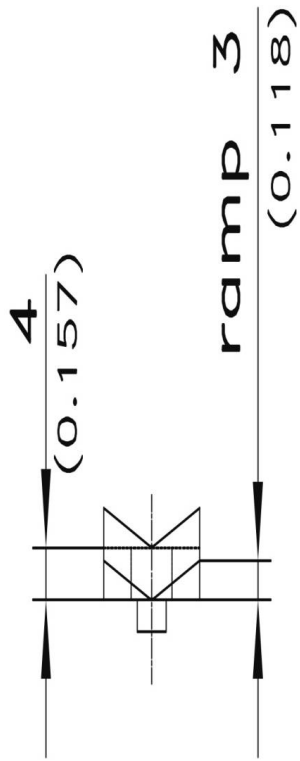
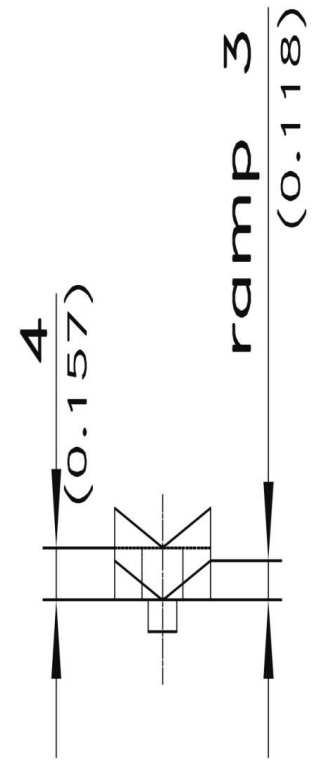




## **CAME 35**

**81-7-3244**

|                  |      |
|------------------|------|
| <b>Poids (g)</b> | 30 g |
|------------------|------|



Stubs  $\varnothing 6\text{mm}$  (0.236)  
for c-clips RS 5  
(are included)

