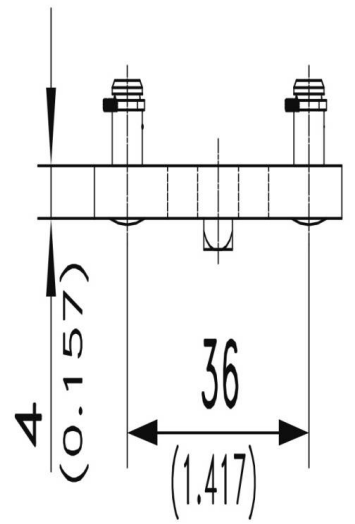
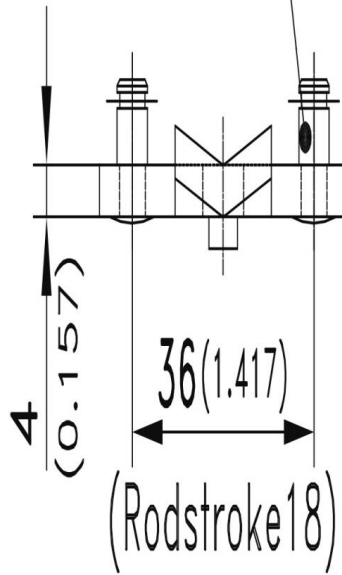
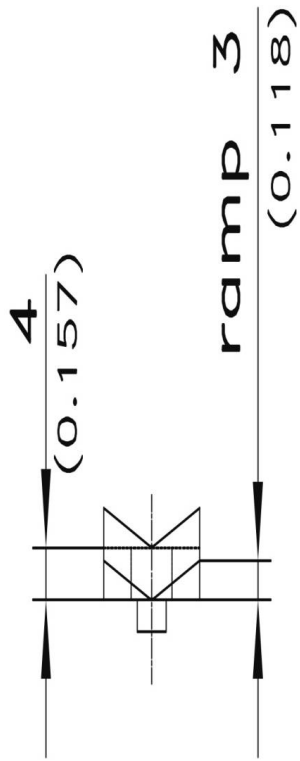
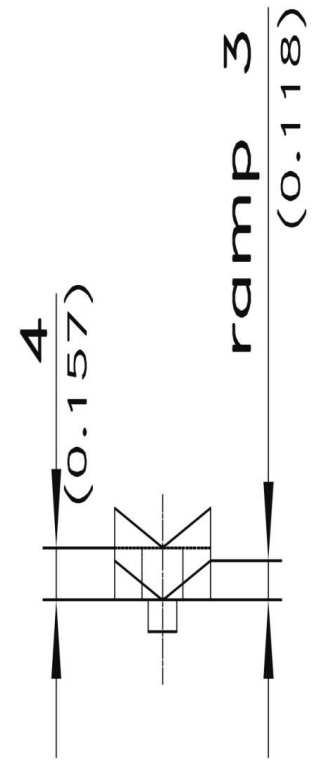




CAME 35

81-7-3220

Poids (g)	20 g
------------------	------



Stubs $\varnothing 6\text{mm}$ (0.236)
for c-clips RS 5
(are included)

