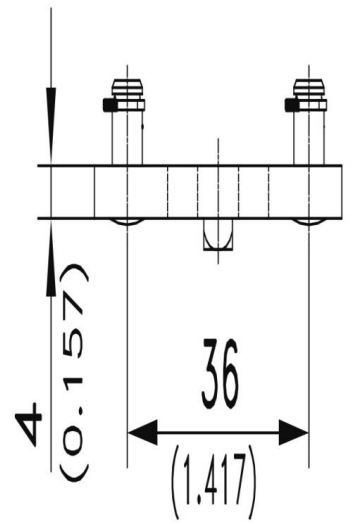
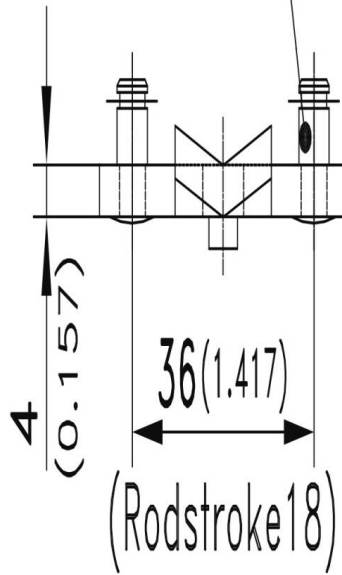
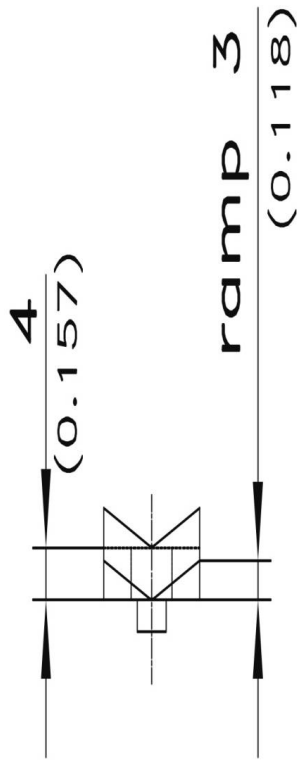
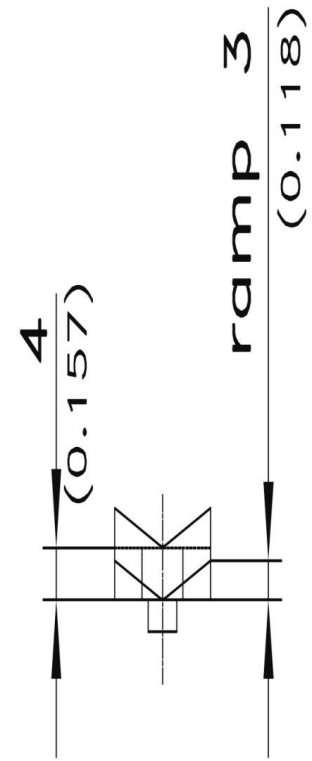




## **CAME 35**

**81-7-3214**

<b>Poids (g)</b>	21 g
------------------	------



Stubs  $\varnothing 6\text{mm}$  (0.236)  
for c-clips RS 5  
(are included)

