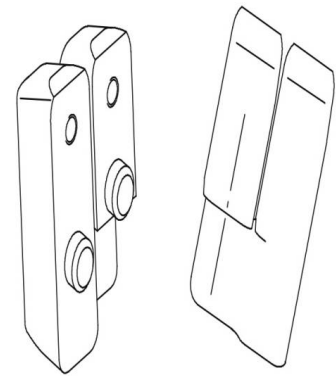
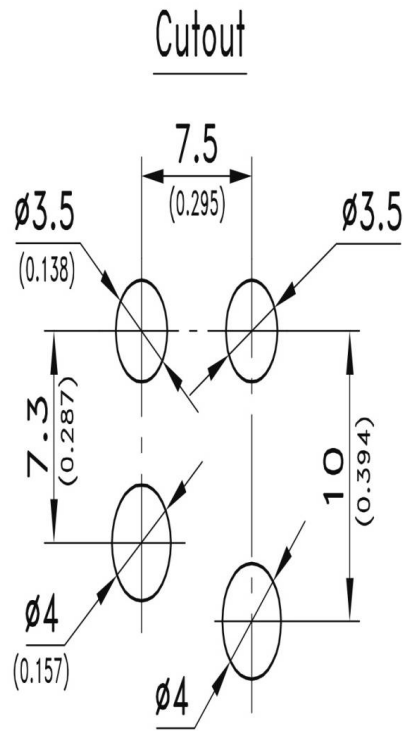
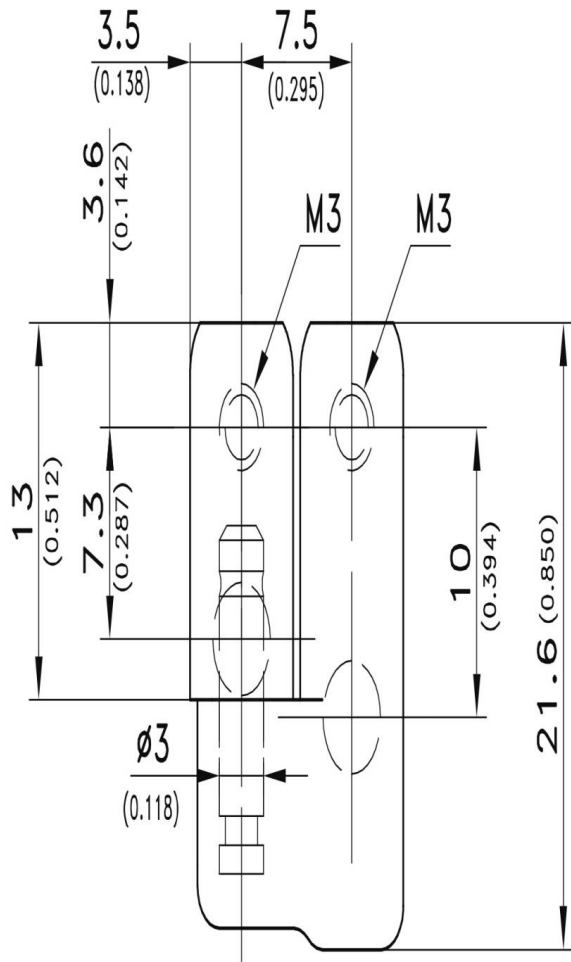




## **CHARNIERE MINI D**

**85-7-1307**

<b>Poids (g)</b>	12 g
------------------	------



e.g. 2x cylinder head screw with slot M3x5 DIN 84

Examples of application

