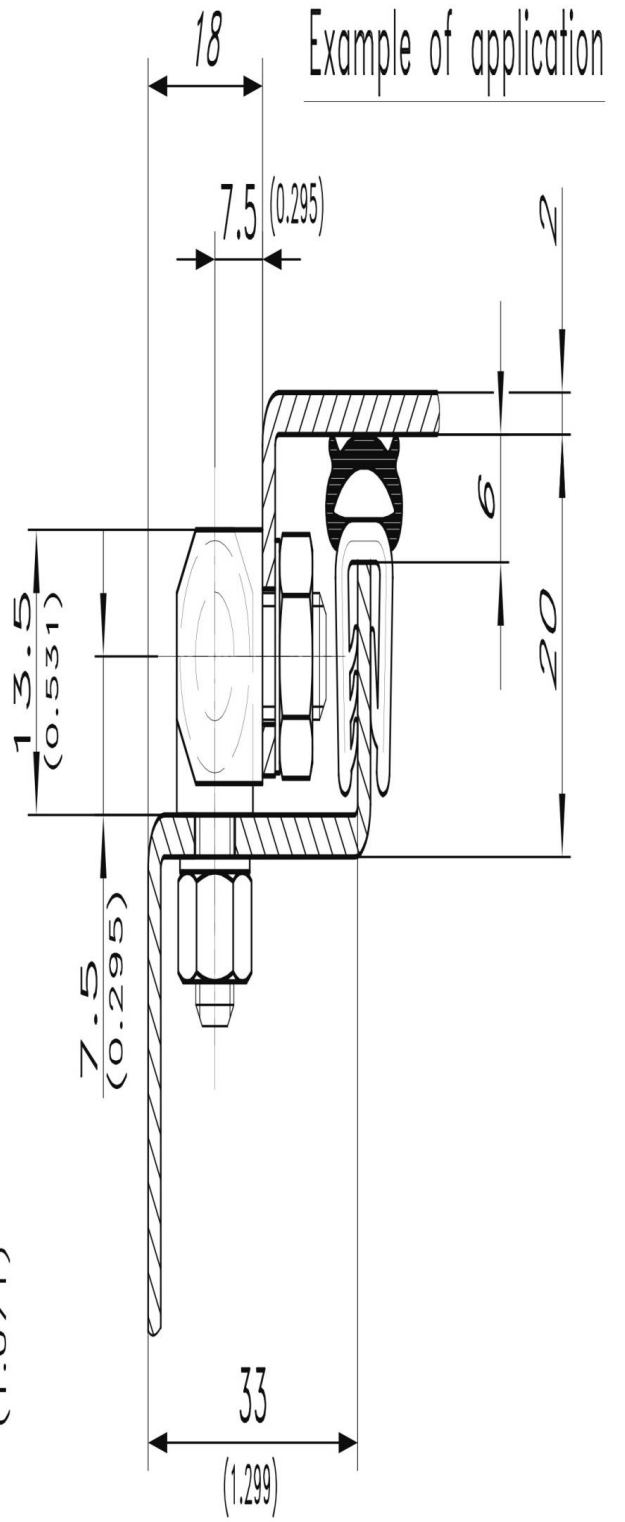
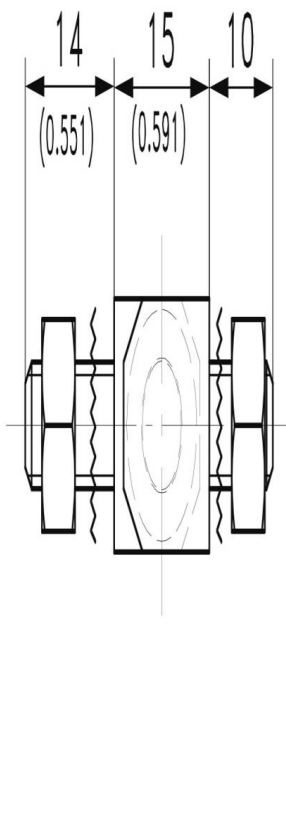
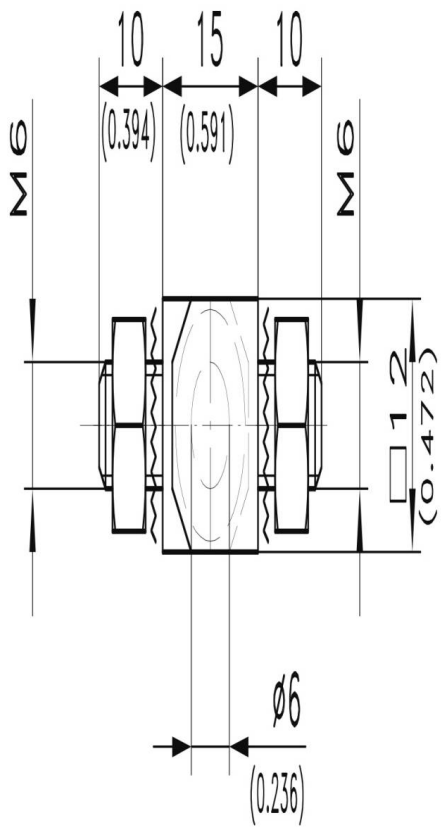




CHARNIERE A VISSER 12X12

85-7-1305

Poids (g)	4 g
------------------	-----



Example of application

