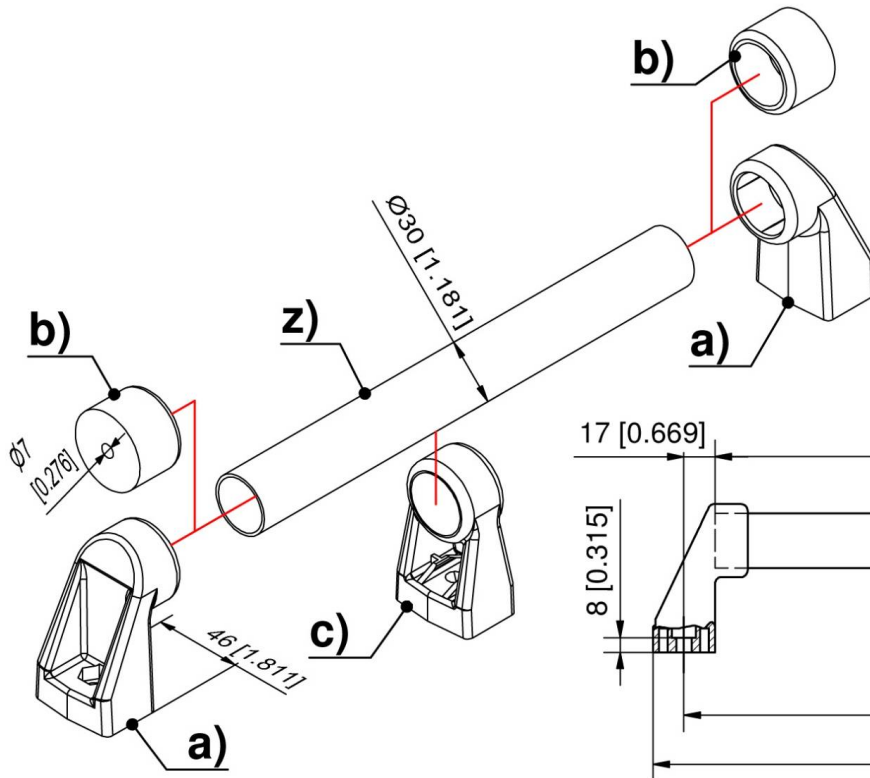




BALUSTRE DIA 30 L 0366

87-7-2402

| | |
|------------------|-------|
| Poids (g) | 215 g |
|------------------|-------|



| Part number | L mm [inch] | L1 mm [inch] | L2 mm [inch] |
|----------------------|-----------------|-----------------|-----------------|
| z) 213-0401.00-00000 | 300 [11.811] | 334 [13.150] | 266 [10.472] |
| z) 213-0402.00-00000 | 400 [15.748] | 434 [17.087] | 366 [14.409] |
| z) 213-0403.00-00000 | 500 [19.685] | 534 [20.354] | 466 [18.346] |
| z) 213-0404.00-00000 | 600 [23.622] | 634 [24.961] | 566 [22.283] |
| z) 213-0405.00-00000 | 700 [27.560] | 734 [28.898] | 666 [26.220] |
| z) 213-0406.00-00000 | 800 [31.496] | 834 [32.835] | 766 [30.157] |

