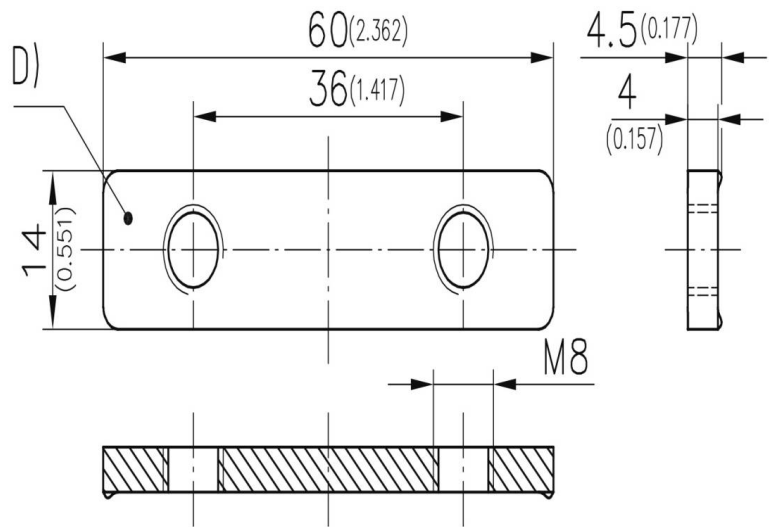
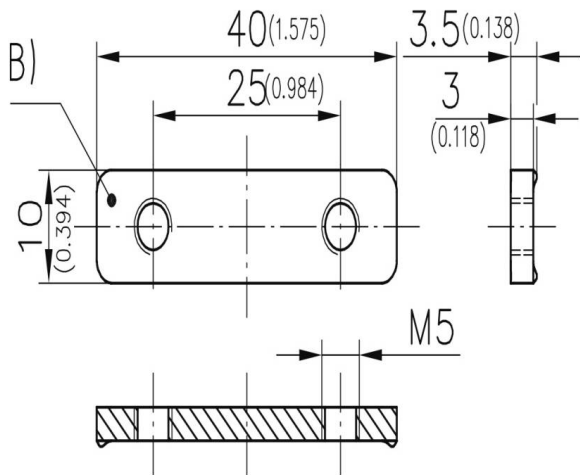
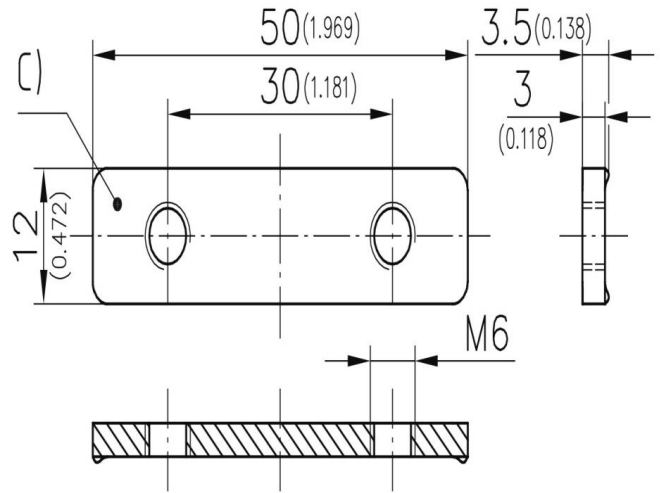
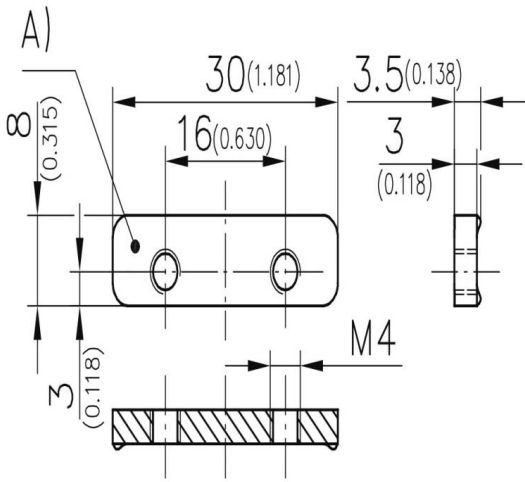




PLAQUETTE TARAUEE 30 ACIER ZN

85-7-1218

Poids (g)	5 g
------------------	-----

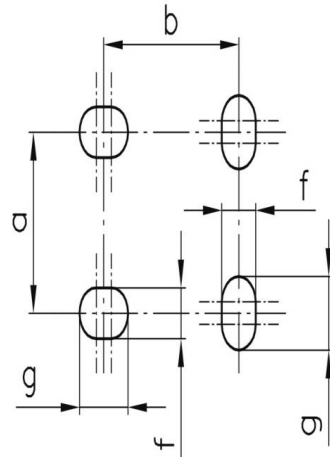
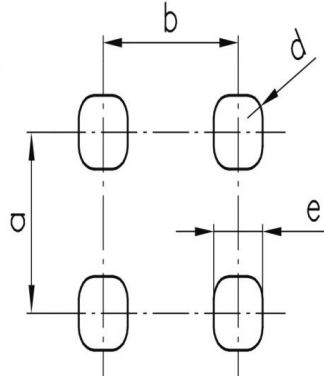
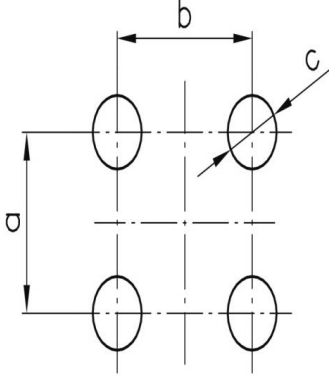


Hole pattern incl. paint

hole pattern for horizontal and vertical adjustment

hole pattern for horizontal and vertical adjustment

hole pattern for horizontal and/or vertical adjusting separately.



Example of application

