



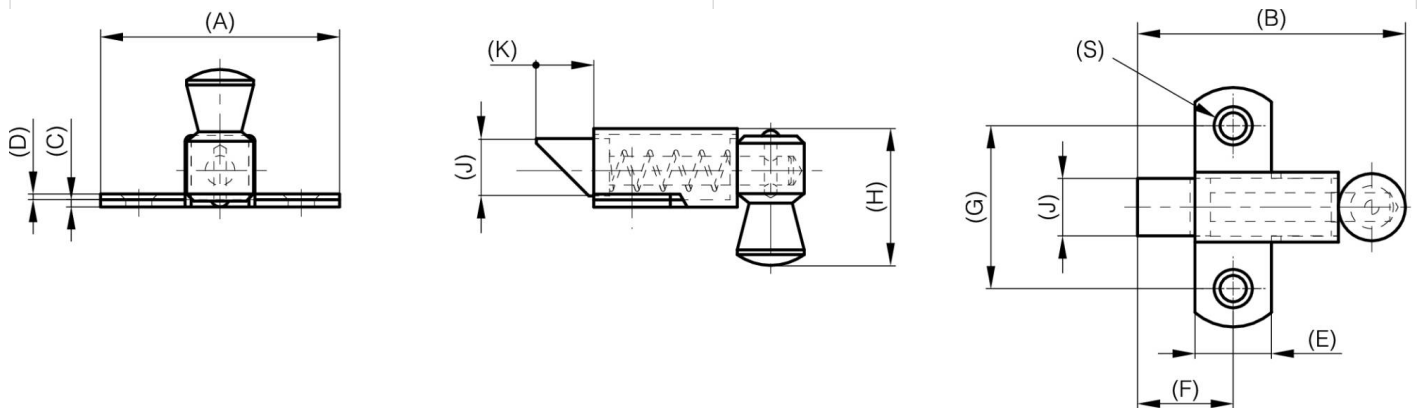
CONCEALED SPRINGLOADED LATCHES - BOLT "NOSE-UP"

16-1-4342

Slam latches.

A	70 mm
Material	steel

Weight (g)	129 g
B	73 mm
C	2 mm
S (hole diameter)	7 mm
E (knuckle or thickness)	22 mm
D (pin diameter)	1.5
F (pitch)	28 mm
G (pitch)	45 mm
H (height or starting holes)	41.6 mm
Finish	zinc plated
J	16 mm
Nouvelle référence	NEW



K	16 mm
----------	-------