



## **POLYMER BUSHING LIFT-OFF HINGE**

### **14-7-3902**

Hinge tested to EN1935: 2002 grades 13-14.

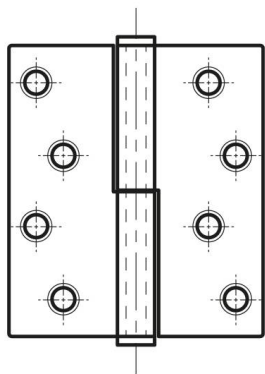
Recommended for door weights less than 160 kg, annual usage up to 200,000 cycles.

Door thickness: 44 mm to 54 mm.

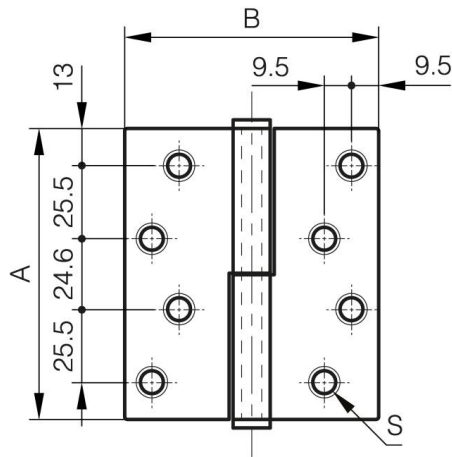
Standard hinge version 52-7-4132.

<b>A</b>	101.6 mm
<b>Note</b>	Type 2

<b>Material</b>	304 stainless steel
<b>Weight (g)</b>	255 g
<b>B</b>	88.9 mm
<b>C</b>	3 mm
<b>S (hole diameter)</b>	8.5 mm
<b>D (pin diameter)</b>	7
<b>Finish</b>	satin polished
<b>Nouvelle référence</b>	NEW



52-7-3902



52-7-3903

