



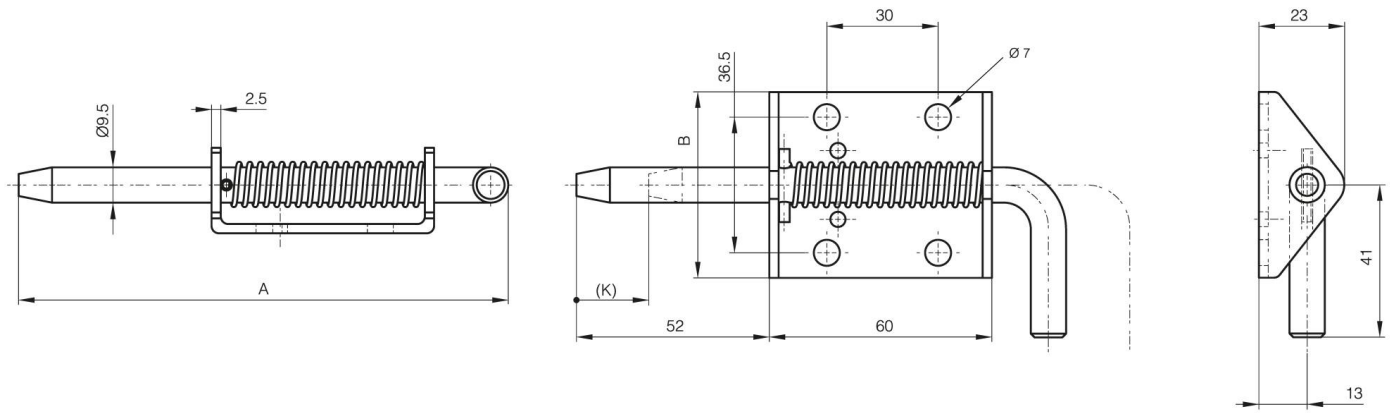
SPRINGLOADED BOLT

16-1-9026

Heavy duty range. No stop when open.

A	132 mm
Note	no stop
Material	steel

Weight (g)	175 g
B	50 mm
Finish	zinc plated



K	17 mm
----------	-------