



**SPRING HINGES - ALUMINIUM PROFILE
0.35 N.M - DIAMETER 13**

72-1-4286

Opening spring force:

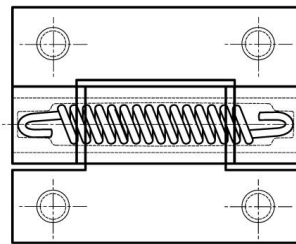
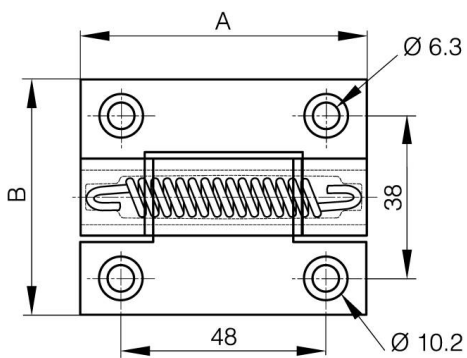
M(0°): 0.35 N.m / M(90°): 0.24 N.m / M(180°): 0.12 N.m

Closing spring force:

M(0°): 0.12 N.m / M(90°): 0.24 N.m / M(180°): 0.35 N.m

3 other versions available: free swinging, with friction or with detent mechanism.

A	67 mm
Note	closing spring
Material	6060 T5 alu
Weight (g)	63 g
B	55 mm
C	4.5 mm
D (pin diameter)	13
Finish	clear anodised



72-1-4323 & 72-1-4324
72-1-4336 & 72-1-4337

