



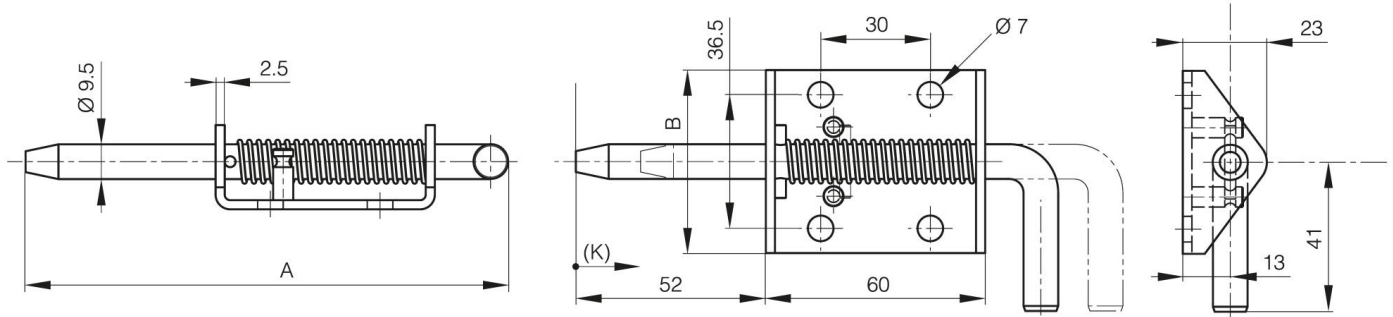
## **SPRINGLOADED BOLT WITH LOCKING SYSTEM B**

**16-1-9025**

Heavy duty range. Stop when open.

<b>A</b>	132 mm
<b>Material</b>	304 stainless steel

<b>Weight (g)</b>	170 g
<b>B</b>	50 mm
<b>Finish</b>	raw



<b>K</b>	17 mm
----------	-------