



## **GLASS DOOR HINGE IN STAINLESS STEEL**

**72-7-4254**

Hinge for glass / acrylic doors (PMMA).

Door thickness: 4 - 6 mm.

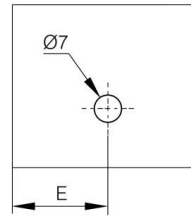
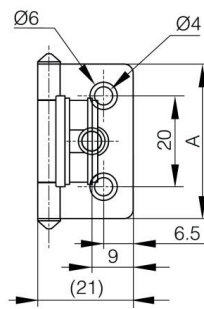
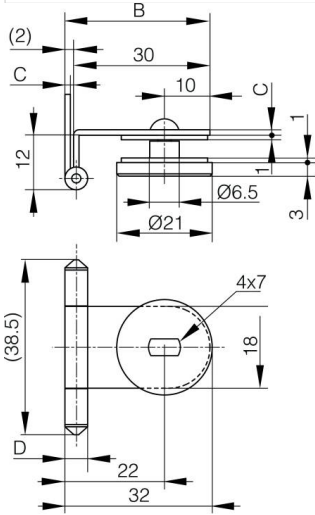
Door weight: max. 4 kg / pair.

Leaves, pin and screw in 304 stainless steel. Plate in aluminium alloy, washer in chloroethylene.

Produced mainly in stainless steel, for a complete description of the materials contact us.

<b>A</b>	34 mm
----------	-------

<b>Material</b>	304 stainless steel
<b>Weight (g)</b>	21 g
<b>B</b>	32 mm
<b>C</b>	1.2 mm
<b>D (pin diameter)</b>	5
<b>Finish</b>	raw



Epaisseur verre	E
4	19
5	18
6	17