



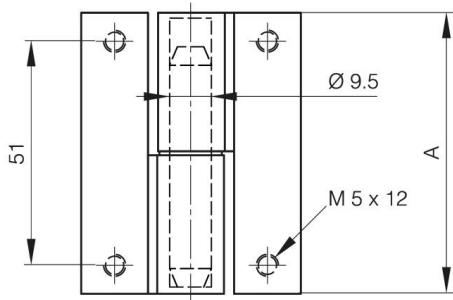
ZINC DIE-CAST LIFT-OFF HINGES 64 X 50 MM

72-1-9003

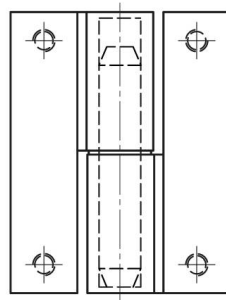
Nylon washer.
Steel pin.

A	64 mm
Note	type 1

Material	zinc die-cast
Weight (g)	247 g
B	50 mm
C	17.5 mm
Finish	black



72-1-9003



72-1-9002

