



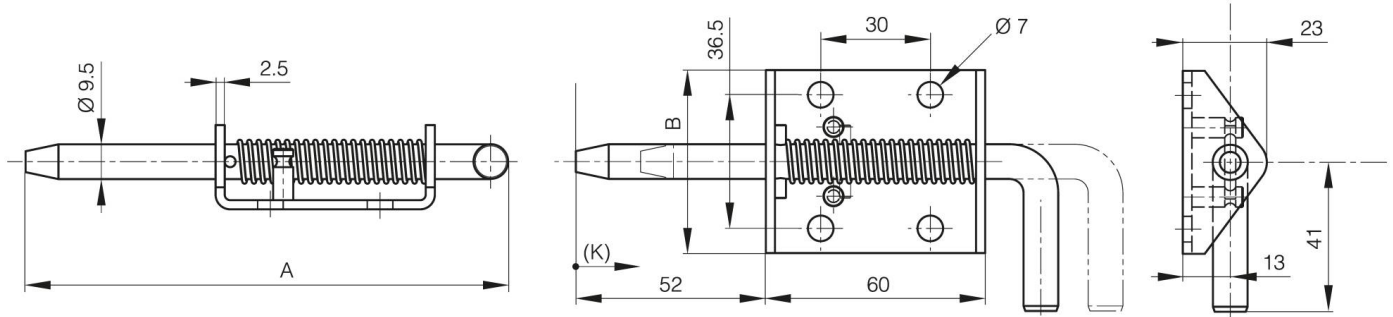
SPRINGLOADED BOLT WITH LOCKING SYSTEM B

16-1-9007

Heavy duty range. Stop when open.

A	132 mm
Material	steel

Weight (g)	175 g
B	50 mm
Finish	zinc plated



K	17 mm
----------	-------