



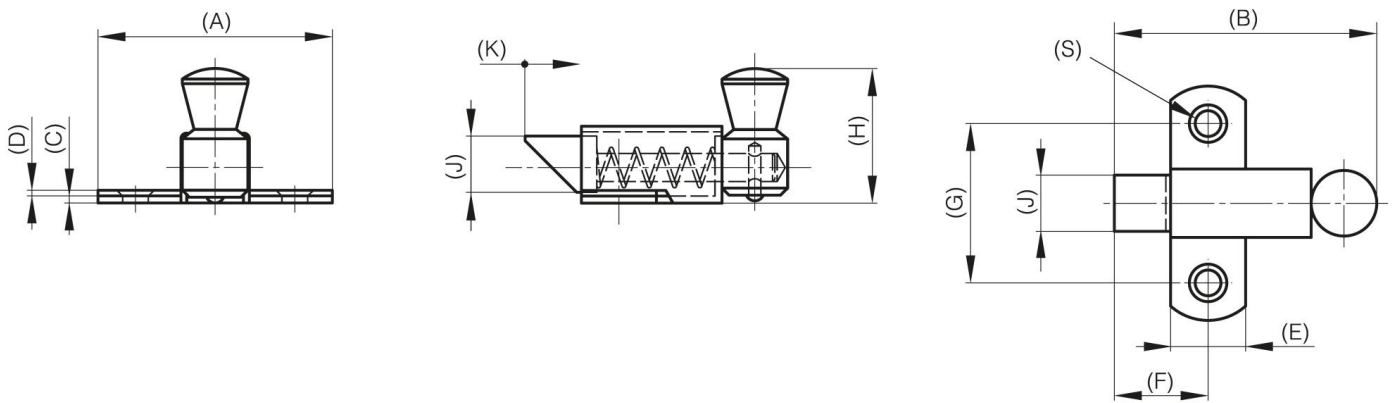
VISIBLE SPRINGLOADED LATCHES - BOLT "NOSE-UP"

16-1-3626

Slam latches.

| | |
|-----------------|-------|
| A | 35 mm |
| Material | brass |

| | |
|-------------------------------------|---------------|
| Weight (g) | 24 g |
| B | 36.5 mm |
| C | 1.2 mm |
| S (hole diameter) | 3.5 mm |
| E (knuckle or thickness) | 11 mm |
| D (pin diameter) | 1 |
| F (pitch) | 13.5 mm |
| G (pitch) | 23 mm |
| H (height or starting holes) | 19 mm |
| Finish | chrome plated |
| J | 8 mm |



| | |
|----------|------|
| K | 8 mm |
|----------|------|