

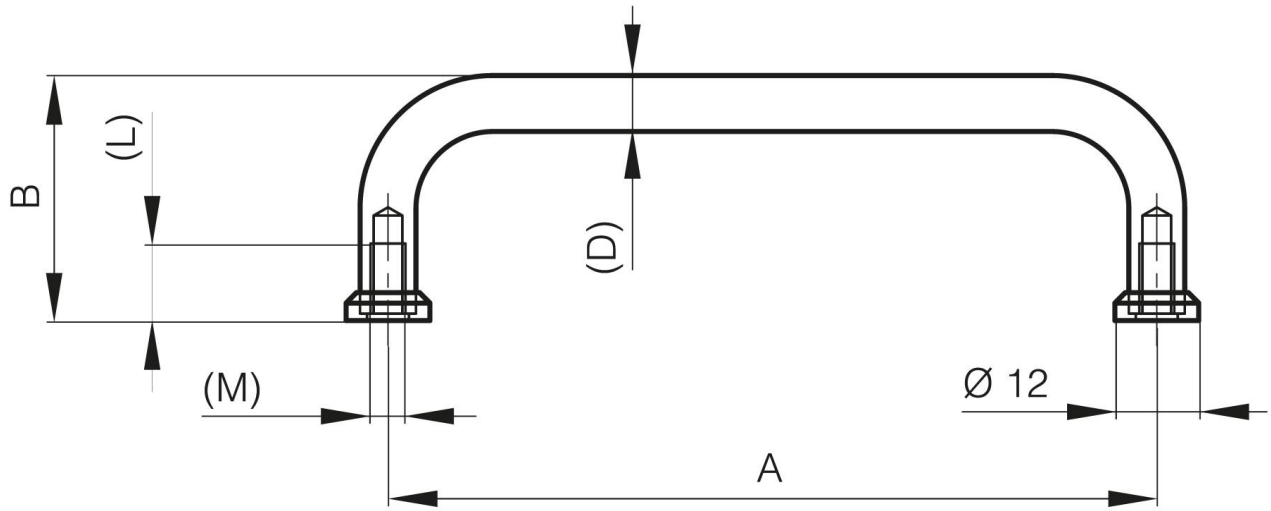


REAR MOUNTED GRAB HANDLES 110 MM

19-1-3424

A	110 mm
Material	304 stainless steel
Weight (g)	61 g
B	35 mm

D (pin diameter)	8
Finish	polished
L	11 mm



M	5 mm
----------	------