



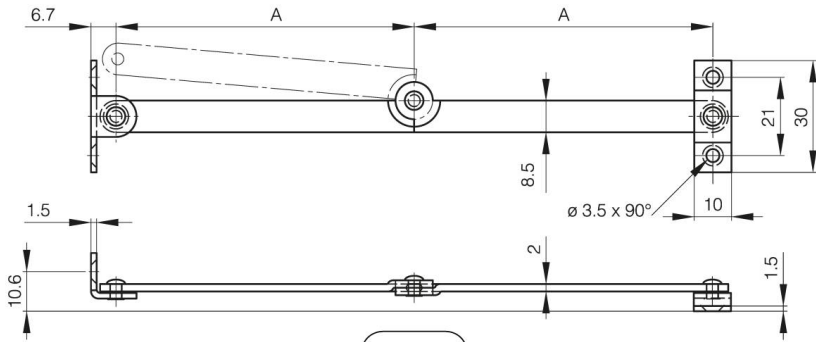
BLACK ZINC PLATED STAYS A

24-1-3312

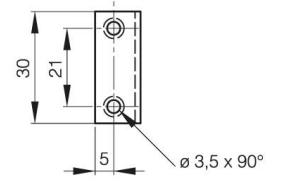
A	80 mm
Material	steel
Weight (g)	34 g

Finish

black zinc plated



24-1-3312



24-1-3311