



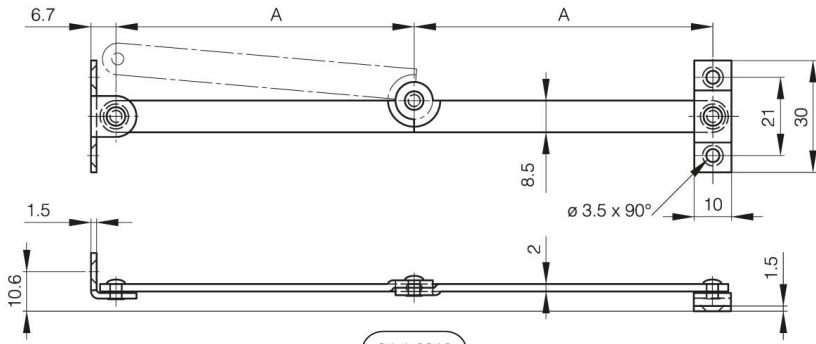
## **BLACK ZINC PLATED STAYS A**

**24-1-3311**

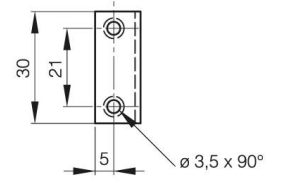
<b>A</b>	80 mm
<b>Material</b>	steel
<b>Weight (g)</b>	34 g

**Finish**

black zinc plated



24-1-3312



24-1-3311