



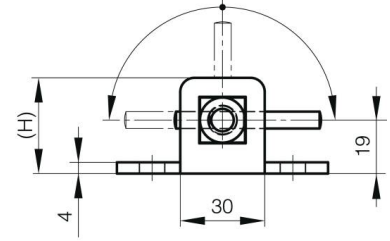
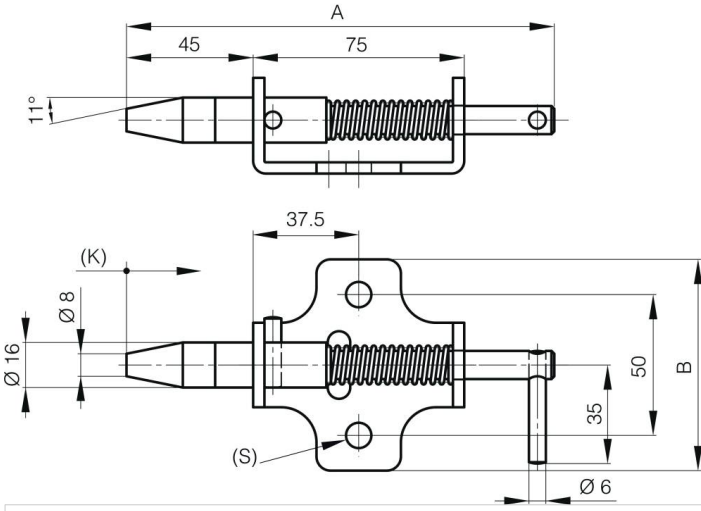
SPRINGLOADED BOLT WITH LOCKING SYSTEM A

16-1-4034

Heavy duty range. Stop when open.

A	152 mm
Material	steel

Weight (g)	340 g
B	75 mm
S (hole diameter)	9 mm
H (height or starting holes)	34 mm
Finish	zinc plated



K	20 mm
----------	-------