

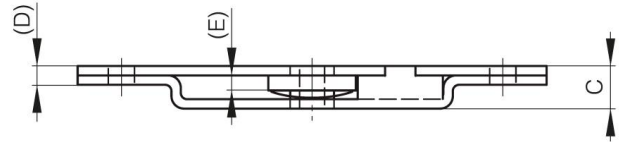
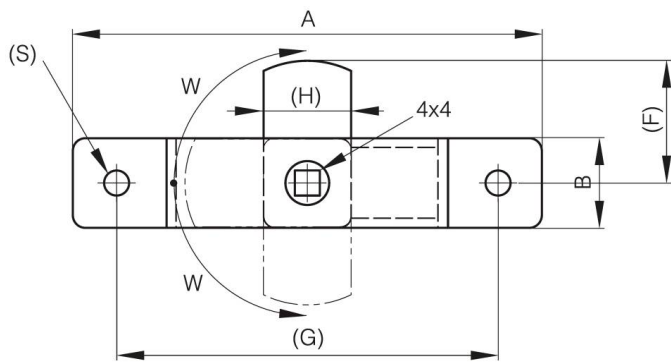


BUDGET LATCHES - SQUARE 4X4

16-7-3289

A	85 mm
Material	steel
Weight (g)	45 g
B	16.5 mm

C	7.7 mm
S (hole diameter)	3.6 mm
E (knuckle or thickness)	3 mm
D (pin diameter)	3.5
F (pitch)	23 mm
G (pitch)	67 mm
H (height or starting holes)	16 mm
Finish	zinc plated



W (opening angle)	90° Degré
--------------------------	-----------