



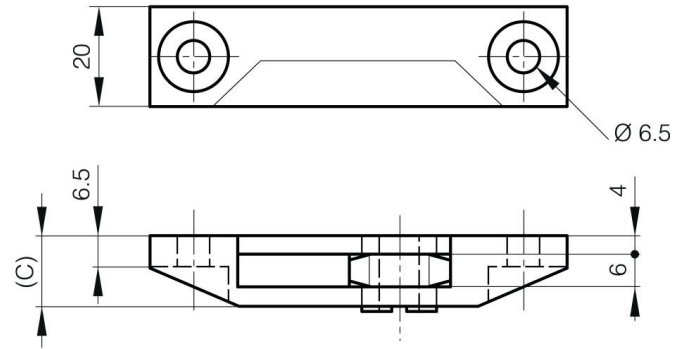
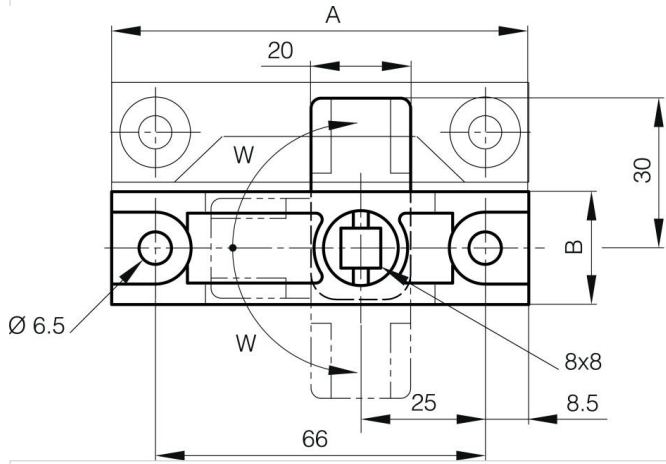
PLASTIC BUDGET LATCH WITH STRIKE PLATE

16-7-4012

Not handed.

A	83 mm
Material	acetal resin

Weight (g)	32 g
B	22 mm
C	14 mm
Finish	black



W (opening angle)	90° Degré
--------------------------	-----------