



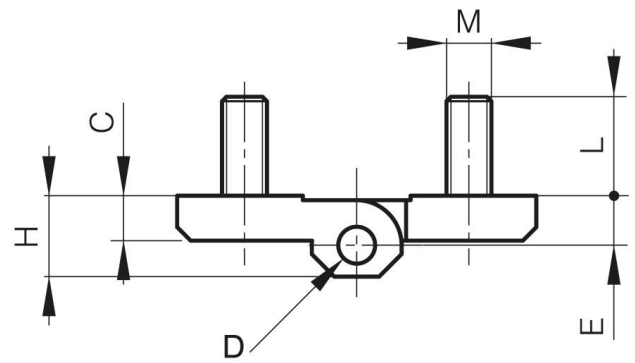
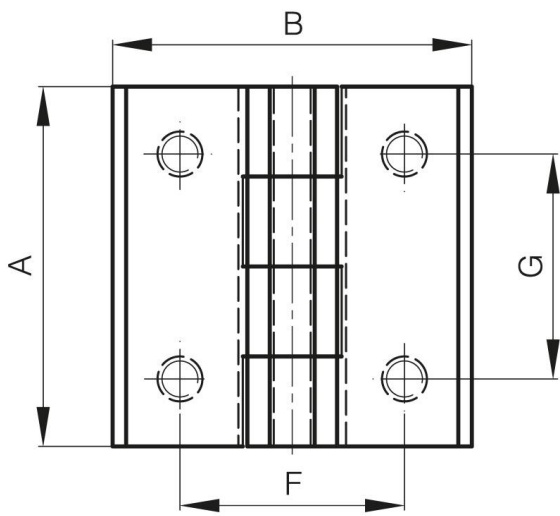
## **POLYAMIDE HINGES WITH STUDS**

**54-1-3032**

Hinges are made of 30% GF polyamide, pins are in 304 stainless steel.

<b>A</b>	50 mm
<b>Material</b>	polyamide
<b>Weight (g)</b>	76 g

<b>B</b>	50 mm
<b>C</b>	6 mm
<b>E (knuckle or thickness)</b>	6.5 mm
<b>D (pin diameter)</b>	6
<b>F (pitch)</b>	30 mm
<b>G (pitch)</b>	30 mm
<b>H (height or starting holes)</b>	11.5 mm
<b>Finish</b>	black
<b>L</b>	15 mm



<b>M</b>	M6 mm
----------	-------