



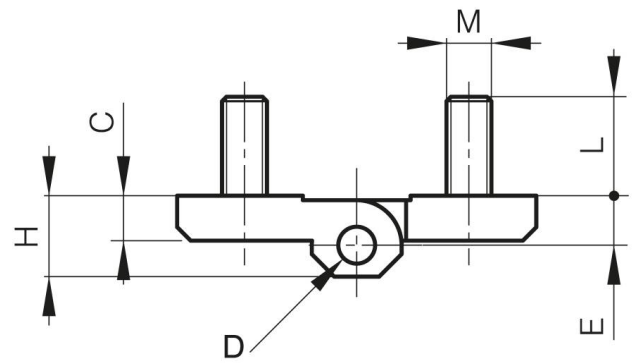
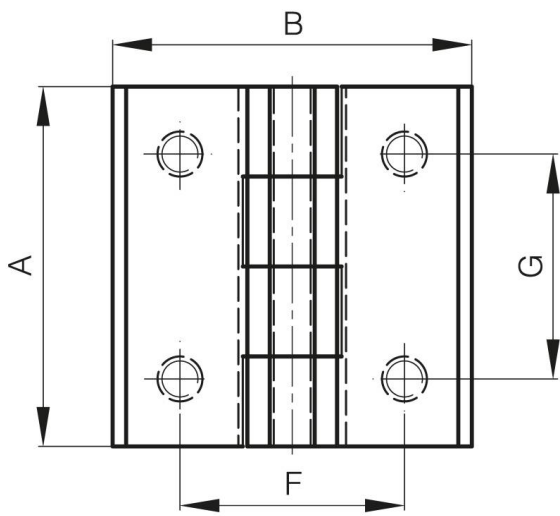
POLYAMIDE HINGES WITH STUDS

54-1-3031

Hinges are made of 30% GF polyamide, pins are in 304 stainless steel.

A	40 mm
Material	polyamide
Weight (g)	56 g

B	40 mm
C	5 mm
E (knuckle or thickness)	5.5 mm
D (pin diameter)	4
F (pitch)	25 mm
G (pitch)	25 mm
H (height or starting holes)	9 mm
Finish	black
L	11 mm



M	M5 mm
----------	-------